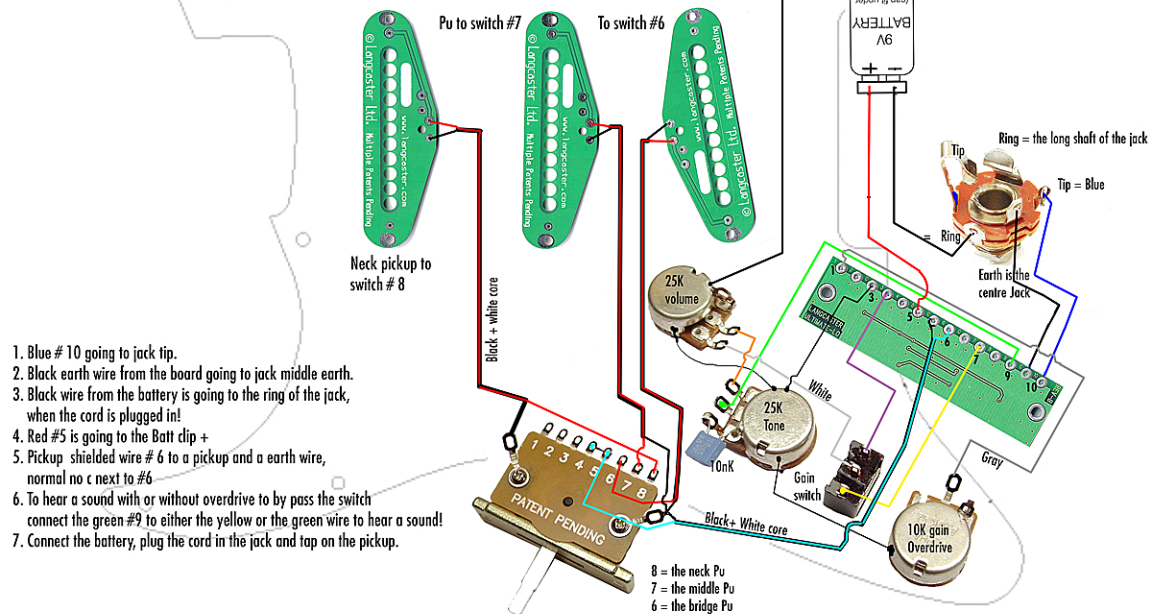


Check the tip and ring are making the correct contacts.

Use the 2 stronger springs supplied



1. Blue # 10 going to jack tip.
2. Black earth wire from the board going to jack middle earth.
3. Black wire from the battery is going to the ring of the jack, when the cord is plugged in!
4. Red #5 is going to the Batt clip +
5. Pickup shielded wire # 6 to a pickup and a earth wire, normal no c next to #6
6. To hear a sound with or without overdrive to by pass the switch connect the green #9 to either the yellow or the green wire to hear a sound!
7. Connect the battery, plug the cord in the jack and tap on the pickup.